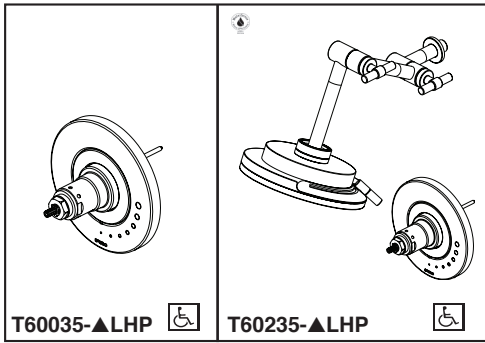


BRIZO®

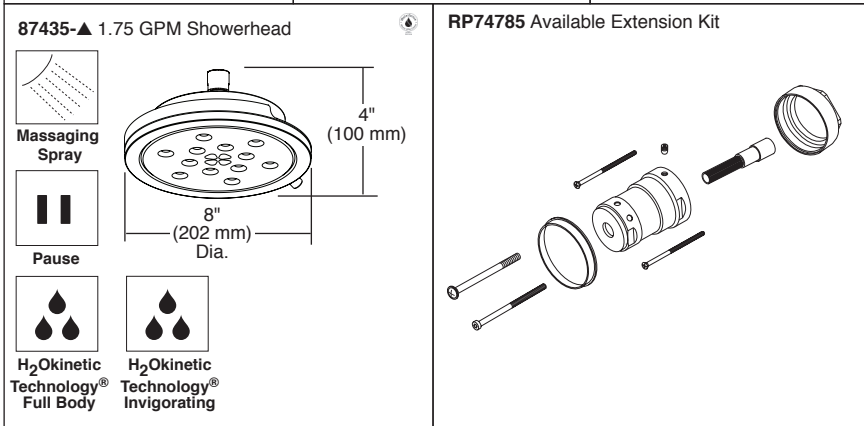
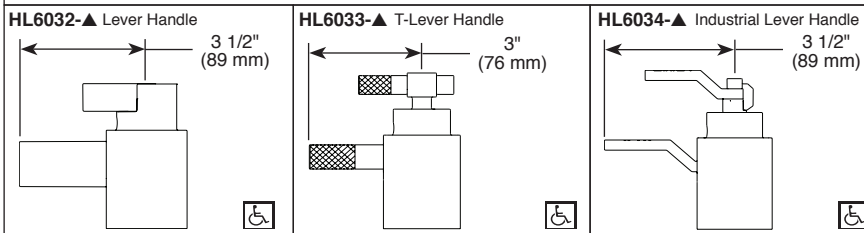
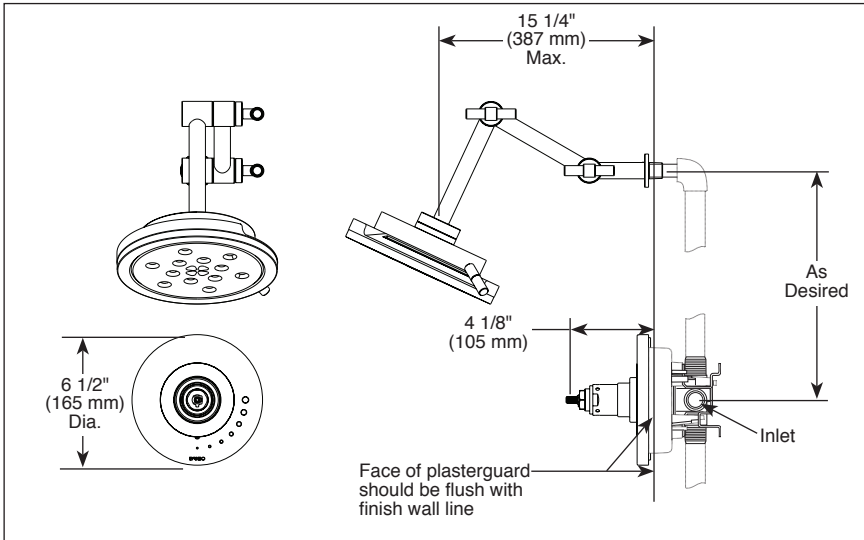
SHOWER FAUCET TRIM

- Litze™ Collection
- Valve Only (T60035-LHP)
- Shower Only (T60235-LHP)



Submitted Model No.: _____

Specific Features: _____



▲ Designate finish suffix

FEATURES:

- TempAssure® Thermostatic Valve Cartridge
- Multi-function Showerhead Featuring H₂Oknetic Technology®

STANDARD SPECIFICATIONS:

- Multi-function showerhead - 1.75 gpm @ 80 psi, 6.6 L/min @ 550 kPa
- Maximum system flow rate 9.4 gpm @ 60 psi with R60000-UNBXHF
- Thermostatic wax element maintains the outlet temperature to ±3.6°F
- Must also order MultiChoice® Universal rough valve body (R60000 Series)
- Back-to-back installation capability
- Lever volume control handle; temperature adjustment lever
- Graphics indicate hot/cold temperature adjustment
- Field adjustable to limit handle rotation into hot water zone
- All parts replaceable from the front of the valve
- Adjusts for up to 1" wall thickness. Optional extension kit (RP74785) extends rough installation up to 1 3/4"
- Solid brass showerarm and tub spout with pull-up diverter
- 1/2"-14 threaded tub spout

WARRANTY

- Lifetime limited warranty on parts (other than electronic parts and batteries) and finishes; or, for commercial users, for 5 years from date of purchase.
- 5 year limited warranty on electronic parts (other than batteries); or, for commercial users, for 1 year from the date of purchase. No warranty is provided on batteries.

COMPLIES WITH:

- ASME A112.18.1 / CSA B125.1
- Indicates compliance to ICC/ANSI A117.1 - Valve control only
- EPA WaterSense®